

24 modules (2x12 Portrait)  
for module width  $\leq 1144$ mm

20 modules (2x10 Portrait)  
for module width 1144-1303mm

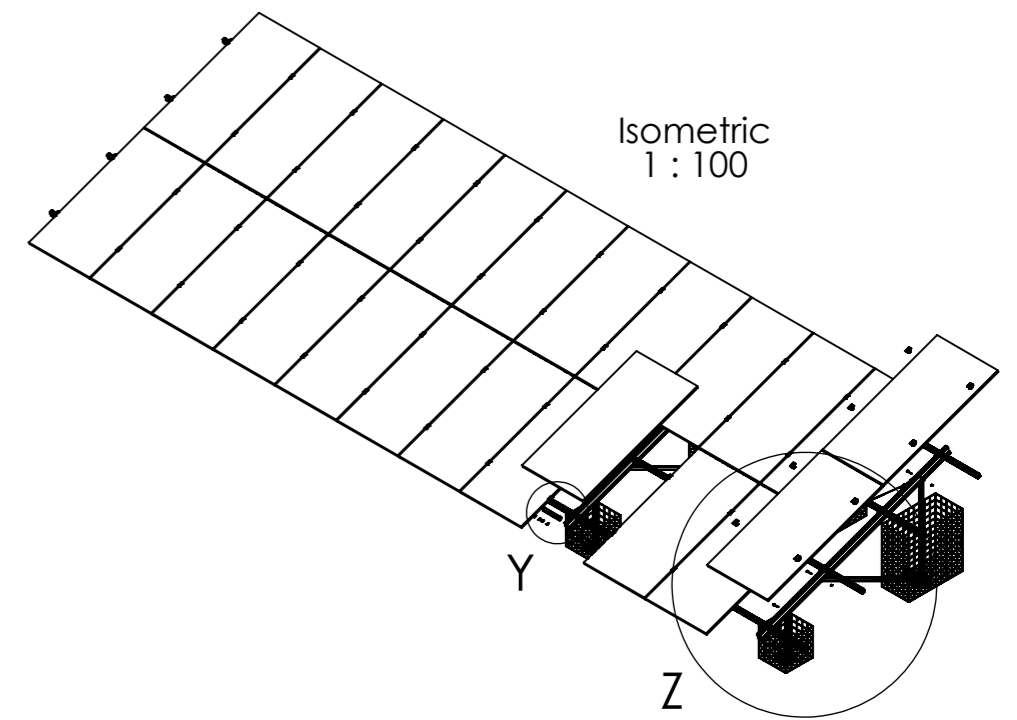
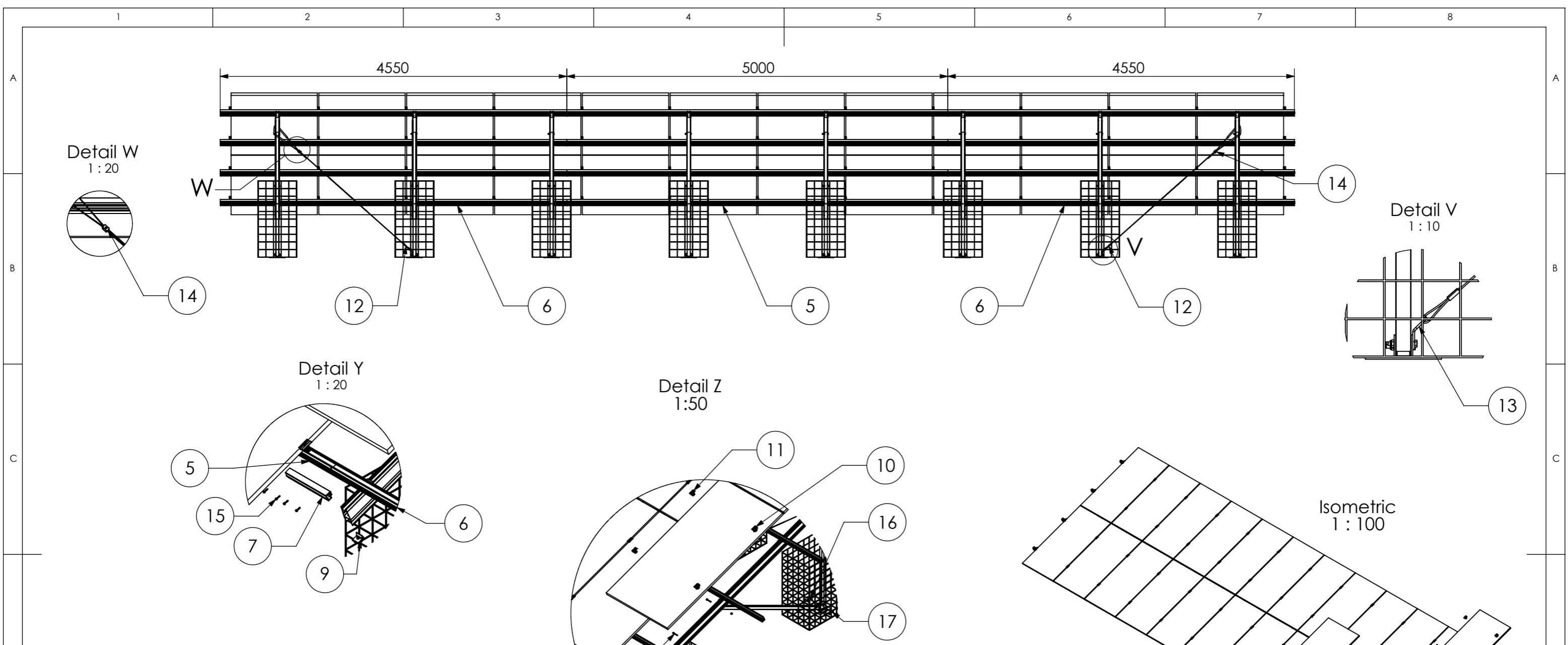
Peak velocity  $q_p[z]$ : 0.67kN/m<sup>2</sup>  
Ground snow load  $S_k$ : 1.75kN/m<sup>2</sup>

**K2 systems**  
K2 Systems GmbH  
Haldenstr. 1  
71272 Renningen  
Germany  
+49 7159 42059-0

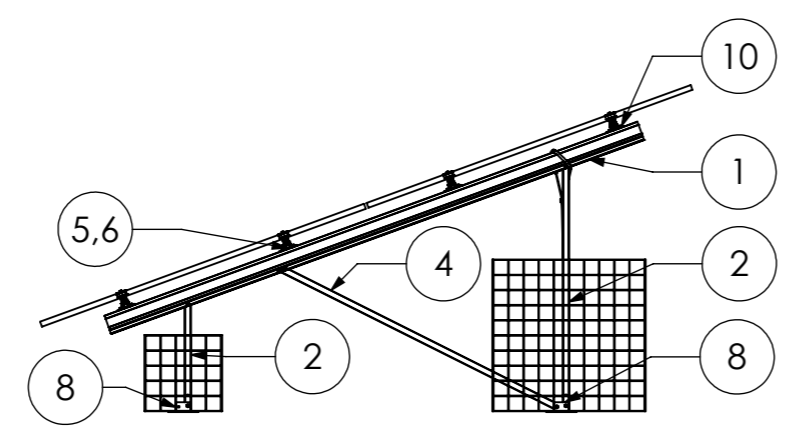
Designation:  
**Data sheet**  
**N-Rack 2.20 Gabion 2x12 L**

Name	Date	Material:	Item no.:	A3
Designed C. Erb	27.01.2026	-	-	All dimensions in mm Sheet 1 of 1
Approved L. Kreemke	16.03.2026	Surface: -	Drawing no.: -	
Last change		Weight: -	Scale: 1:50	

This drawing is the sole property of K2 Systems GmbH. It is protected by copyright and may only be copied, reproduced or distributed to a third party with explicit permission!




Pos.No.	Designation
1	Beam N-Rack 3750
2	3-Hole Brace N-Rack 715
3	3-Hole Brace N-Rack 1625
4	2-Hole Brace N-Rack 2072
5	CrossRail 73 - 5 m
6	CrossRail 73 - 4,55 m
7	CrossRail 73 Connector
8	N-Rack Base Plate
9	Climber 36/50 Set
10	EC Clamp Set
11	MC Clamp Set
12	Gripple Bracing
13	Gripple Angle
14	Gripple Lock
15	Self-tapping screw 5,5 x 25 - A2
16	Hexagon head bolt M10 x 70 ISO 4014 - A2-70
17	Hexagon nut M10 - DIN 985 - A2-70



24 modules (2x12 Portrait)  
for module width ≤ 1144mm

20 modules (2x10 Portrait)  
for module width > 1144-1303mm

Peak velocity  $q_p[z]$ : 0.67kN/m<sup>2</sup>  
Ground snow load  $S_k$ : 1.75kN/m<sup>2</sup>

	K2 Systems GmbH Haldenstr. 1 71272 Renningen Germany +49 7159 42059-0			Designation: <h2 style="text-align: center;">Data sheet</h2> <h3 style="text-align: center;">N-Rack 2.20 Gabion 2x12 L</h3>																									
	<table border="1"> <tr><td>Name</td><td></td><td>Date</td><td></td><td>Material:</td><td></td></tr> <tr><td>Designed</td><td>C. Erb</td><td>27.01.2026</td><td></td><td>-</td><td></td></tr> <tr><td>Approved</td><td>L. Kreemke</td><td>16.03.2026</td><td></td><td>Surface: -</td><td></td></tr> <tr><td>Last change</td><td></td><td></td><td></td><td>Weight: -</td><td>Scale: 1:50</td></tr> </table>	Name		Date		Material:		Designed	C. Erb	27.01.2026		-		Approved	L. Kreemke	16.03.2026		Surface: -		Last change				Weight: -	Scale: 1:50	Item no.: -		Drawing no.: -	
Name		Date		Material:																									
Designed	C. Erb	27.01.2026		-																									
Approved	L. Kreemke	16.03.2026		Surface: -																									
Last change				Weight: -	Scale: 1:50																								
This drawing is the sole property of K2 Systems GmbH. It is protected by copyright and may only be copied, reproduced or distributed to a third party with explicit permission!																													